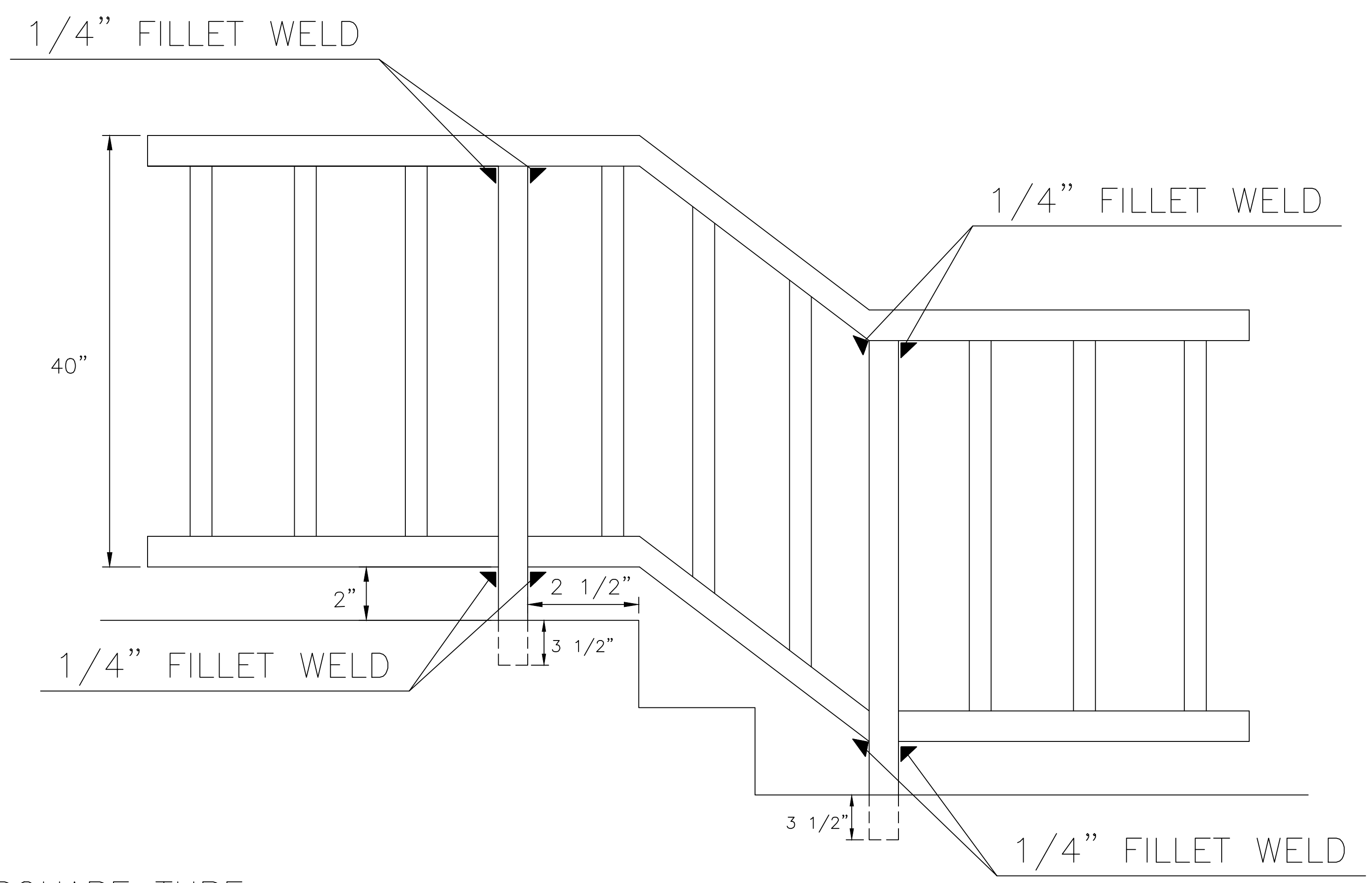
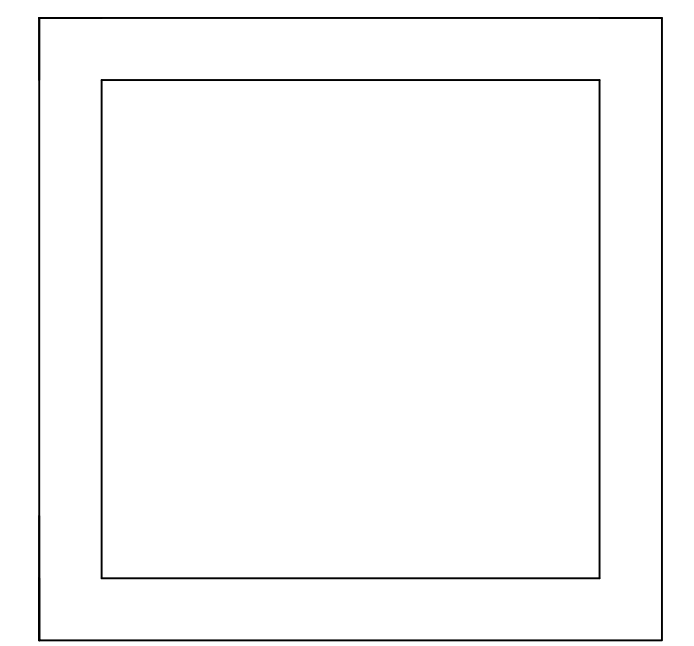


DETAIL B-B

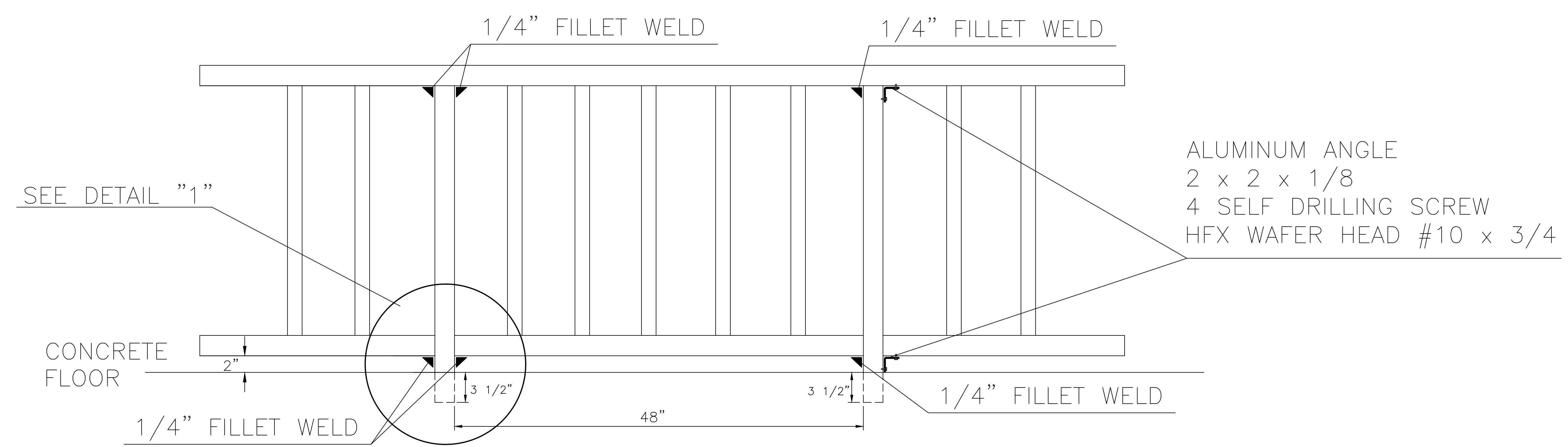


DETAIL C-C

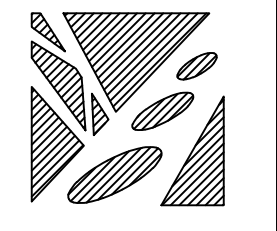


DETAIL A-A

SQUARE TUBE  
2" x 2" x 1/4"  
ALUMINUM



HAND RAIL ELEVATION DETAIL:



R. NO.	DATE	COMMENTS

DRAWN BY:	CHECKED BY:
DATE: MARCH 20, 2015	SCALE: N.T.S.

**ROYAL PARK**  
ROYAL PARK DRIVE, OAKLAND PARK, FL. 33509